

CLE

LED Work Light



LED



ø71

IP65f



Wide Spot Type
CLE-24

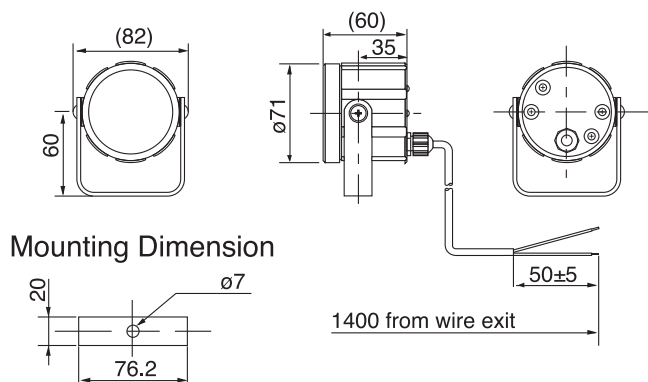


Narrow Spot Type
CLE-24N

LED Work Light designed for applications for machine tool, inspection and processing industries.

- Enhanced Illumination: Uses ultra-bright LEDs.
- Extended product life, even in harsh environments.
- Energy-Efficient: Low power consumption and less heat build-up.
- Installation: Upright, inverted, sideways.
- Conforms to the CE requirements.

Dimensions



(mm)

CLE Type

Model	Rated Voltage	Power Consumption	Luminosity	Mass
CLE-24	24V DC	3W	20cd	0.3kg
CLE-24N	24V DC	3W	130cd	0.3kg